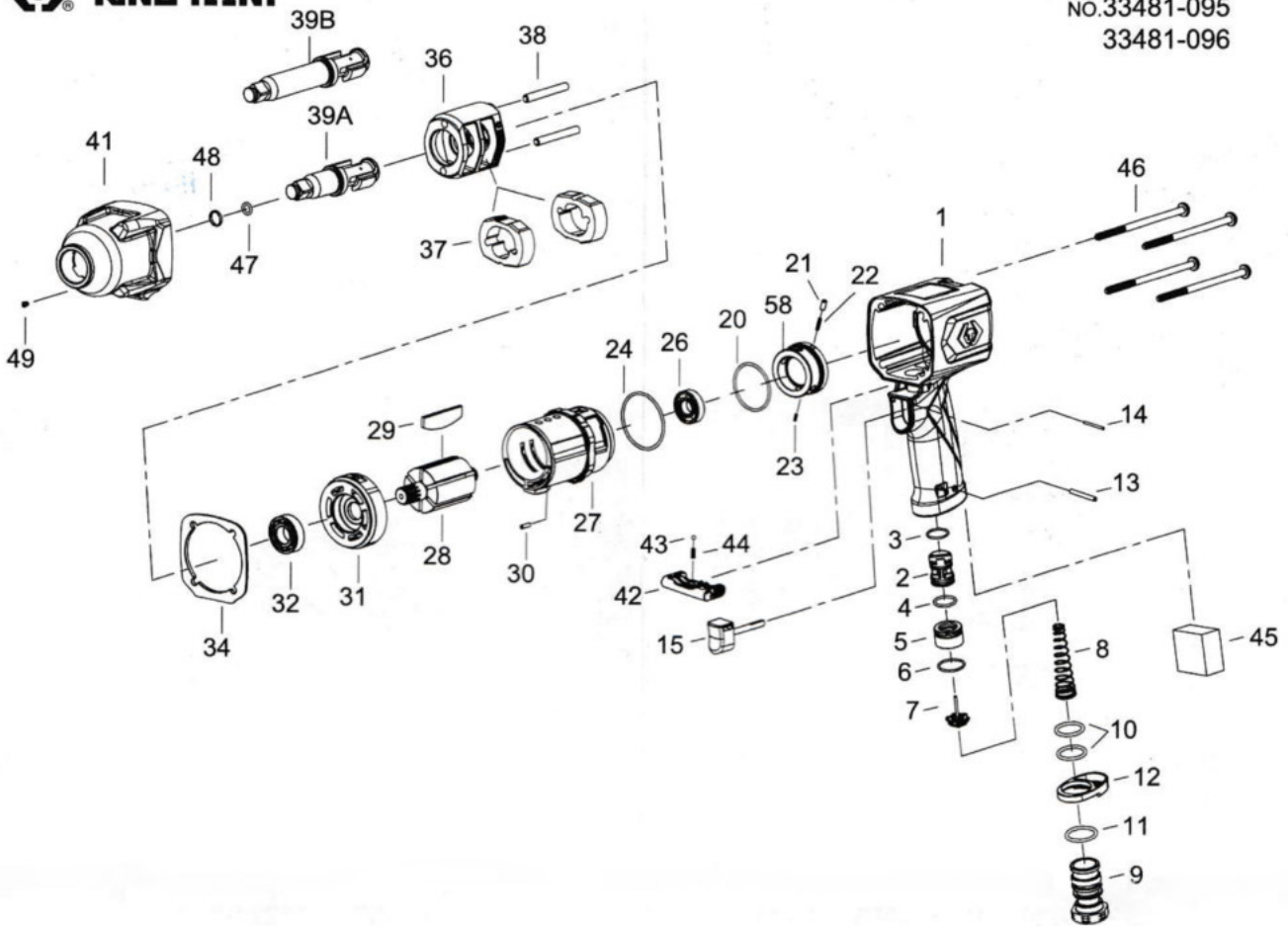


1/2" DR. IMPACT WRENCH



NO.33481-095
33481-096



INDEX NO.	KT No.	DESCRIPTION	REQ'D NO.	INDEX NO.	KT No.	DESCRIPTION	REQ'D NO.
1	033481-A01	Motor Housing	1	30	033481-A30	Spring Pin	1
2	033481-A02	Reverse Valve	1	31	033481-A31	End Plate	1
3	033481-A03	O-Ring	1	32	033411-B24	Ball Bearing	1
4	033481-A04	O-Ring	1	34	033481-A34	Gasket	1
5	033481-A05	Throttle Valve Seat	1	36	033411-B34	Hammer Frame	1
6	033812-A48	O-Ring	1	37	033411-A37	Hammer	2
7	033631-C03	Throttle Valve Assembly	1	38	033411-A35	Hammer Pin	2
8	033481-A08	Spring	1	39A	033411-B43A	Standard Anvil (for 33481-095)	1
9	033481-A09	Air Inlet (for 19 BSPT)	1	39B	033411-B43B	2" Extended Anvil (for 33482-095)	1
9A	033481-A09A	Air Inlet (for 18 NPT)	1	★ 41	033481-A41	Hammer Case Assembly (incl.49)	1
10	033481-A10	O-Ring	2	42	033481-A42	Reverse Knob	1
11	033481-A11	O-Ring	1	43	033411-A13	Steel Ball	1
12	033481-A12	Exhaust Deflector	1	44	033351-A21	Steel Ball Spring	1
13	033351-A13	Spring Pin	1	45	033481-A45	Muffler Element	1
14	033481-A14	Spring Pin	1	46	033481-A46	Screw	4
15	033481-A15	Trigger Assembly	1	47	033411-A45	O-Ring	1
20	033481-A20	O-Ring	1	48	033411-A44	Socket Retainer	1
21	033481-A21	Pin	1	● 49	037221-A52	Grease Fitting	1
22	033481-A22	Spring	1	58	033481-A58	Reverse Valve Knob	1
23	033481-A23	Spring Pin	1	TK1	033481-ATK1	Front End Plate Assembly (incl.31,32)	
24	033481-A24	O-Ring	1	TK2	033481-ATK2	Cylinder Assembly (incl.27,30)	
26	033481-A26	Ball Bearing	1	TK3	033411-BTK3	Standard Anvil Assembly (incl.39A,47,48)	
27	033481-A27	Cylinder Assembly	1	TK4	033411-BTK4	2" Extended Anvil Assembly (incl.39B,47,48)	
28	033481-A28	Rotor	1	TK	033481-ATK	Tune-Up Kit (incl.3,4,6,8,10 (2),11,20,22,24,29 (6),34,43,44,45,47,48)	
29	033481-A29	Rotor Blade	6				

★ Must be purchased in assembly set

● Recommended not to be purchased alone due to assembly difficulty

20160102R1

Air Pressure : 6.2 Bar (90 PSI)

Inspec. Item No.	Square drive		Std. Bolt Size	Free Speed	MAX. Torque		Overall Length		Air Inlet	Air Hose	Avg. Air Consumption		Net Weight		Sound Pressure Level A-weighted	Sound Power Level A-weighted	Sound Pressure Vibe Peak C-weighted	Vib. MS/2
	inch	inch	mm	R.P.M	ft-lb	N.m	inch	mm	BSPT/NPT	ID	cfm	l/min	lbs	kgs				
33481-095	1/2	1	M24	8000	950	1288	7-3/4"	197	1/4" BSPT	3/8	6.7	190	4.96	2.25	96.00	107.00	124.00	8.10
33481-096	1/2	1	M24	8000	950	1288	7-3/4"	197	1/4" NPT	3/8	6.7	190	4.96	2.25	96.00	107.00	124.00	8.10

